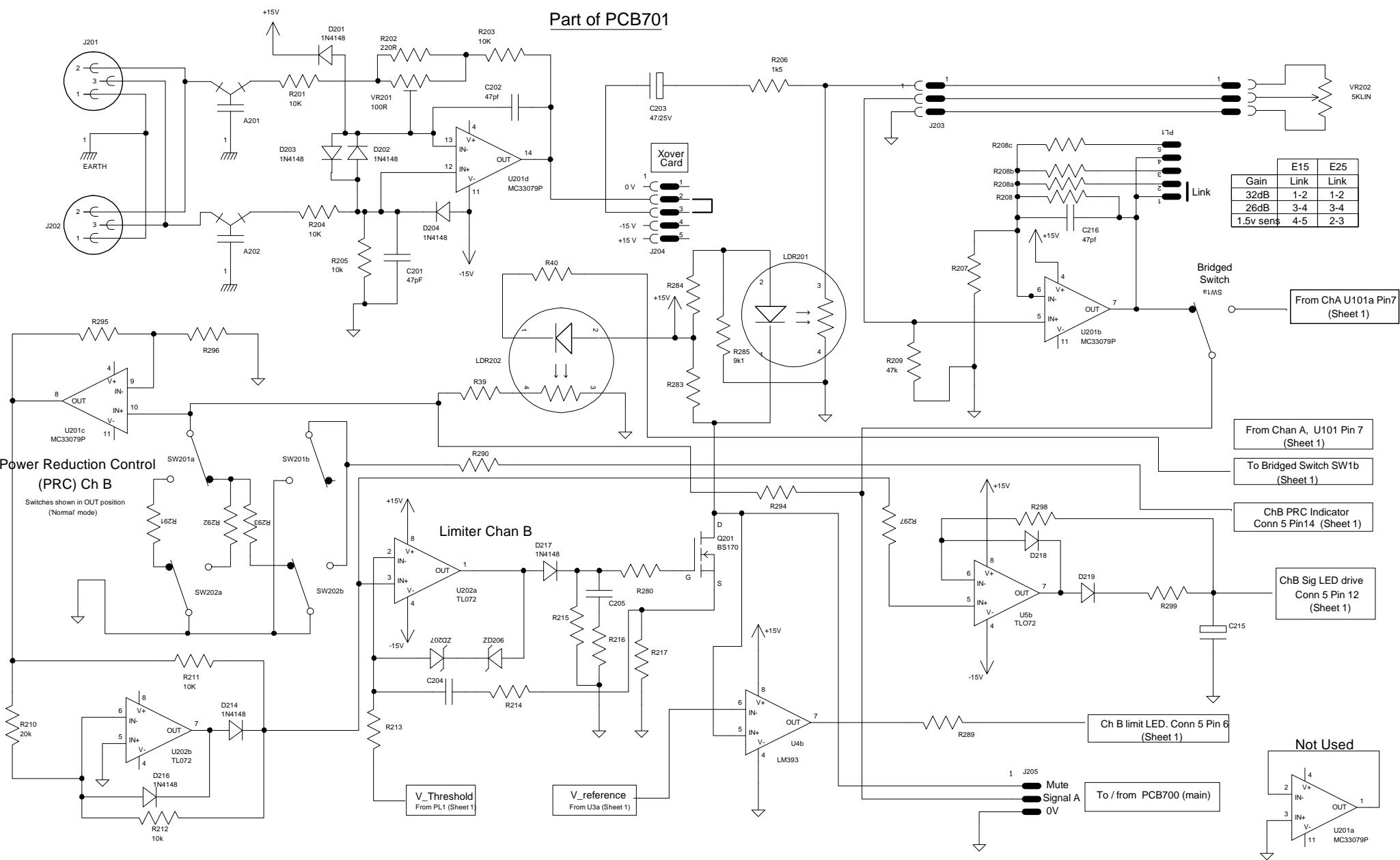


Part of PCB701



	E15	E25
Gain	Link	Link
32dB	1-2	1-2
26dB	3-4	3-4
1.5v sens	4-5	2-3

Power Reduction Control (PRC) Ch B
Switches shown in OUT position (Normal mode)

Limiter Chan B

- From Chan A, U101 Pin 7 (Sheet 1)
- To Bridged Switch SW1b (Sheet 1)
- Ch B PRC Indicator Conn 5 Pin14 (Sheet 1)

Ch B Sig LED drive Conn 5 Pin 12 (Sheet 1)

Ch B limit LED. Conn 5 Pin 6 (Sheet 1)

To / from PCB700 (main)

